

Key Features

High gloss acrylic surface is easy to clean

Scratch and stain resistant

Easy access 5½" threshold

Fiberglass Composite materials 3" diameter feet

Available Size

- 54" x 27"




Features

- Comfortable integral 15" tall seat
- Spacious slip resistant area for showering
- Easy to install for both new construction and remodel projects
- Screw flange direct to stud, no T-brace or clips required
- Covered with a protective film to maintain finish during installation
- Robotically sprayed fiberglass resin, composite materials and 3" diameter feet for structural strength
- 5 Year Consumer, 2 Year Commercial Limited Warranty
- Meets ANSI and CSA Standards

Ordering Information

Description	Dimensions	Model #	Shipping Weight
Right Seat Center Drain	54" x 27" x 19"	VLBSRxx542719	59 lbs
Left Seat Center Drain	54" x 27" x 19"	VLBSLxx542719	59 lbs

Color Options* (color code replaces "xx" in SKU)

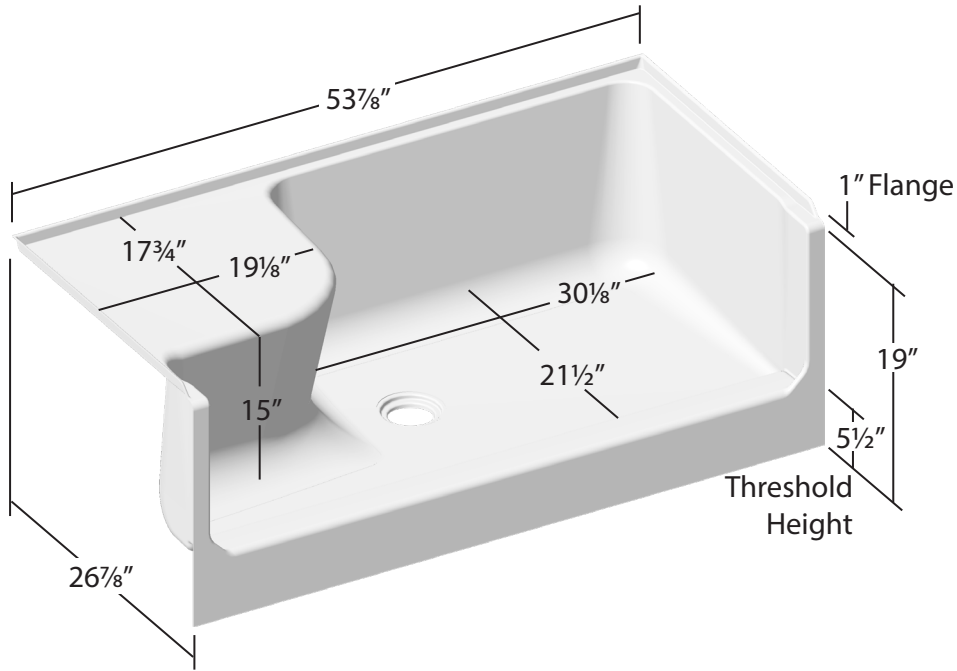
 01 - White  02 - Almond  09 - Biscuit

*Color shown may vary slightly from the actual product due to variations in the printing process of this document.

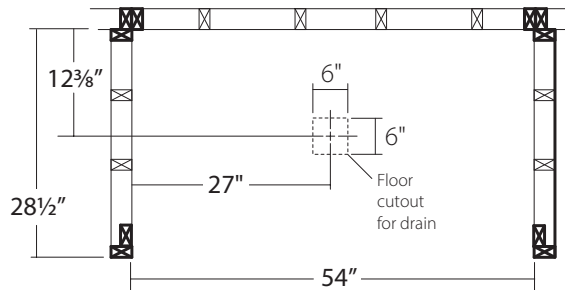
Plumbing accessories not included.



54" x 27" x 19"



Max Door Threshold Width 3 1/8"



☒ = required stud location

☒ = suggested stud location

Left Seat Shown - reverse for Right Seat

Contact Us

Lyons Industries, Inc.
30000 M-62 West
Dowagiac, MI 49047

(800) 458-9036

(269) 782-5159

lyonsind@lyonsindustries.com

www.lyonsindustries.com

Design and features may change without notice.
Complies with ANSI Z124.1 and CAN/CSA-B45
CAN/ULC S102.2 Flame-75 & Smoke Developed-485 code.
Complies with ASME:A112.19.7 and CAN/CSA-B45.10
All product subject to manufacturing tolerance of [+] or [-] 1/8".
Printed in U.S.A.
03-23