



Key Features

Easy to clean

3 piece surround

4" deep shelves

No-caulk Finish

Available Sizes

- 60" x 32" x 74" • 60" x 30" x 74"
- 48" x 34" x 74" • 36" x 36" x 74"
- 32" x 32" x 74"

Features

- Ultra gloss acrylic finish
- Spacious shelving with 3" foot rest
- Scratch and stain resistant
- Easy one person installation for both new construction and remodel projects
- No drilling necessary, screw flange direct to stud
- Covered with a protective film to maintain finish during installation
- 3 piece surround shipped in one carton
- Compatible with most standard shower bases
- Robotically sprayed fiberglass resin for structural strength
- 10 Year consumer, 3 Year commercial Limited Warranty

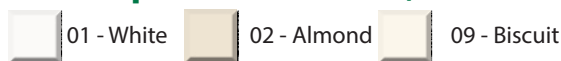
Ordering Information

Description	Dimenions	Model #	Shipping Weight
Shower Surround	60" x 32" x 74"	LSUxx603274	52 lbs
Shower Surround	60" x 30" x 74"	LSUxx603074	50 lbs
Shower Surround	48" x 34" x 74"	LSUxx483474	49 lbs
Shower Surround	36" x 36" x 74"	LSUxx363674	40 lbs
Shower Surround	32" x 32" x 74"	LSUxx323274	38 lbs

Individual Panels

Model #	Left Panel	Right Panel	Back Panel
LSUxx603274	30xx-01130	30xx-01131	30xx-01129
LSUxx603074	30xx-01132	30xx-01133	30xx-01129
LSUxx483474	30xx-01126	30xx-01127	30xx-01128
LSUxx363674	30xx-01142	30xx-01141	30xx-01140
LSUxx323274	30xx-01130	30xx-01131	30xx-01134

Color Options* (color code replaces "xx" in SKU)



*Colors shown may vary slightly from the actual product due to variations in the printing process of this document.

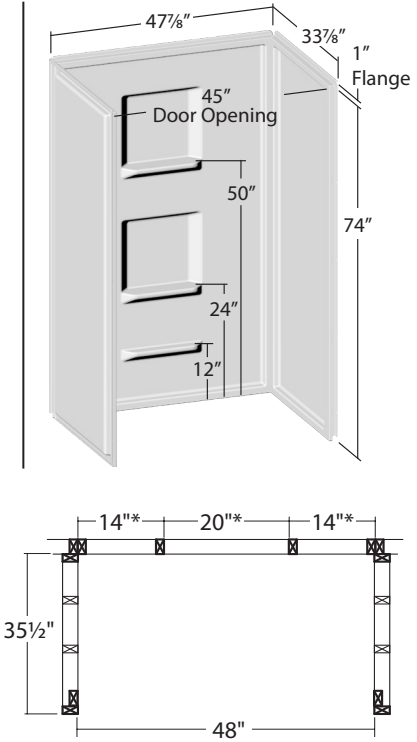
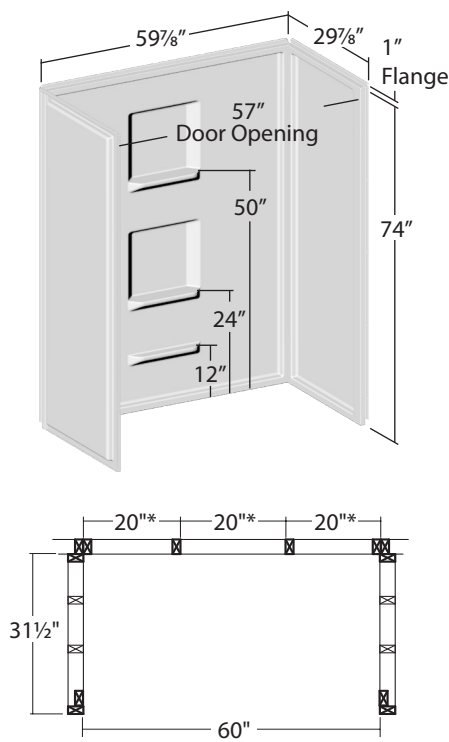
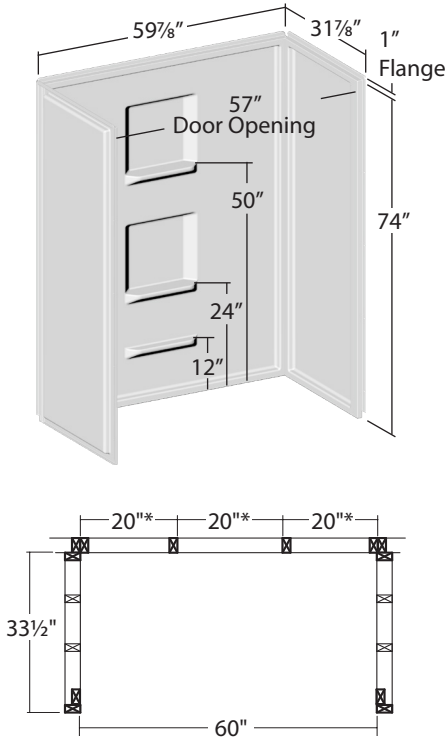
Plumbing accessories not included.



60" x 32" x 74"

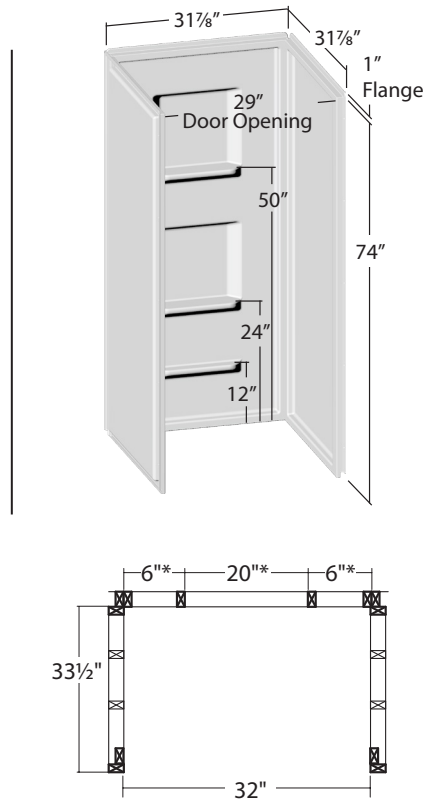
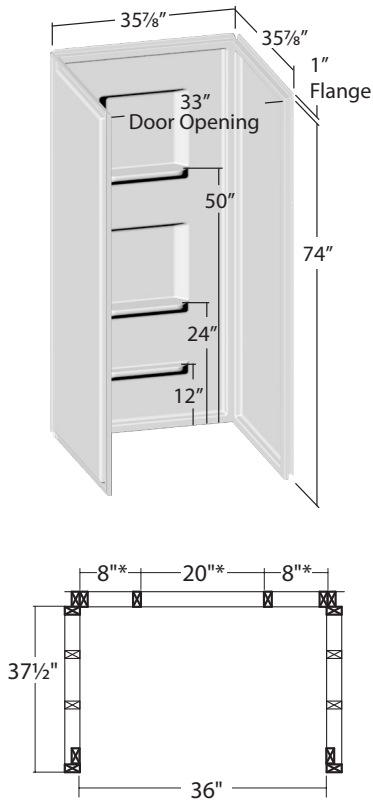
60" x 30" x 74"

48" x 34" x 74"

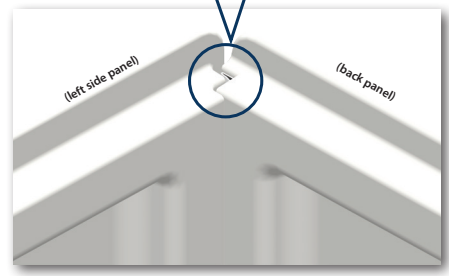


36" x 36" x 74"

32" x 32" x 74"



Water-Proof Gasket (Magnified View)



Innovative wall design adjusts for out-of-square alcoves.

- = required stud location*
- = suggested stud location

***Stud spacing critical for shelf placement**

Contact Us
 Lyons Industries, Inc.
 30000 M-62 West
 Dowagiac, MI 49047
 (800) 458-9036
 (269) 782-5159
 lyonsind@lyonsindustries.com
 www.lyonsindustries.com

Design and features may change without notice.
 All product subject to manufacturing tolerance of [+] or [-] 1/8".
 Printed in U.S.A.
 09-2018