

### Key Features

High Gloss  
Acrylic surface

Scratch and  
stain resistant

Slip resistant bottom  
for showering

Fiberglass  
3" diameter feet  
Composite materials

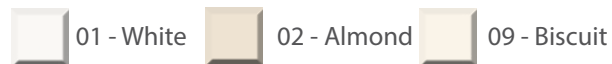
#### Bathtub Features

- Easy to install for both new construction and remodel projects
- Screw flange direct-to-stud, no predrilling or clips required
- Covered with a protective film to maintain finish during installation
- 5-Year Consumer, 2-Year Commercial Limited Warranty
- 100% robotic spraying improves quality and consistency
- Meets Flame/Smoke code for High Rise
- Meets ANSI and CSA Standards

#### Ordering Information

Description	Dimensions	Model #	Shipping Weight
Garden Bathtub	54" x 42" x 19"	VGTLSCxx544219C	65 lbs

#### Color Options\* (color code replaces "xx" in SKU)

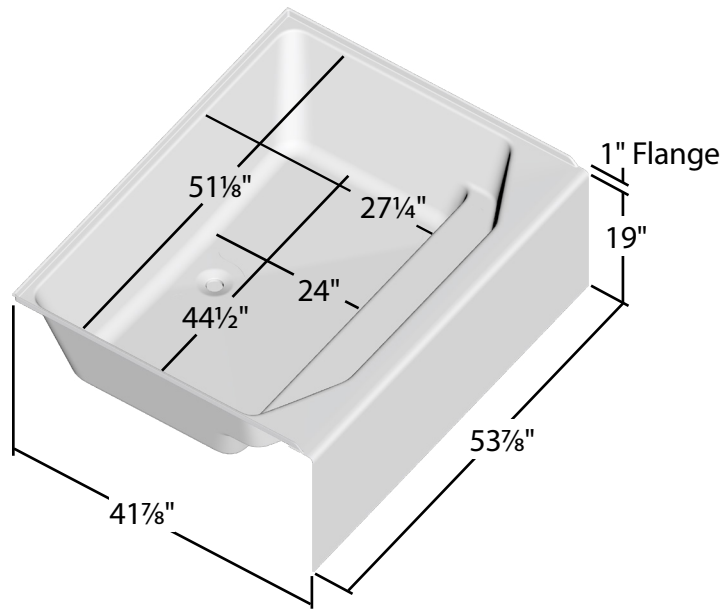


\*Color shown may vary slightly from the actual product due to variations in the printing process of this document.

Plumbing accessories not included.



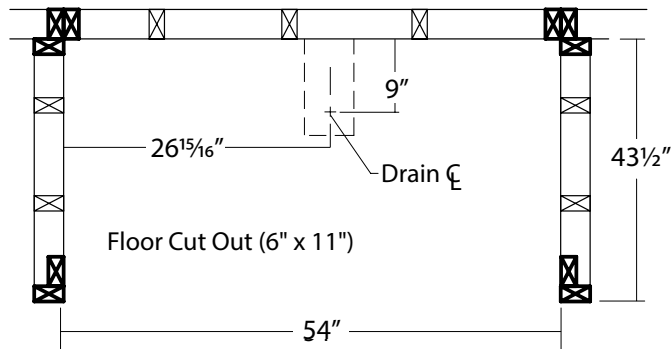
# 54" x 42" x 19"



Inside Step/Seating Area:

45 7/8" x 6 1/8"

Max Door Threshold Width 4 1/8"



= required stud location  
 = suggested stud location

## Contact Us

Lyons Industries, Inc.  
 30000 M-62 West  
 Dowagiac, MI 49047

(800) 458-9036

(269) 782-5159

[lyonsind@lyonsindustries.com](mailto:lyonsind@lyonsindustries.com)

[www.lyonsindustries.com](http://www.lyonsindustries.com)

Design and features may change without notice.

Complies with ANSI Z124.1 and CAN/CSA-B45

CAN/ULC S102.2 Flame-75 & Smoke Developed-485 code.

Complies with ASME:A112.19.7 and CAN/CSA-B45.10

All product subject to manufacturing tolerance of [+] or [-] 1/8".

Printed in U.S.A.