



Key Features

Easy to clean

3 piece surround

4" deep shelves

No-caulk Finish

Available Sizes

- 32" x 60" x 59" • 30" x 60" x 59"
- 30" x 54" x 59" • 42" x 54" x 59"
- 27" x 54" x 59"

Features

- High gloss acrylic finish
- Spacious shelving
- Scratch and stain resistant
- Easy one person installation for both new construction and remodel projects
- No drilling necessary, screw flange direct to stud
- Covered with a protective film to maintain finish during installation
- 3 piece surround shipped in one carton
- Compatible with most standard bathtubs
- Robotically sprayed fiberglass resin for structural strength
- 5 Year consumer, 2 Year commercial Limited Warranty

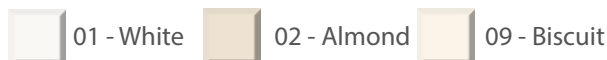
Ordering Information

Description	Dimensions	Model #	Shipping Weight
Shower Surround	32" x 60" x 59"	LESCSxx326059	65 lbs
Shower Surround	30" x 60" x 59"	LESCSxx306059	63 lbs
Shower Surround	30" x 54" x 59"	LESCSxx305459	47 lbs
Shower Surround	42" x 54" x 59"	LESCSxx425459	42 lbs
Shower Surround	27" x 54" x 59"	LESCSxx275459	42 lbs

Individual Panels

Model #	Left Panel	Right Panel	Back Panel
LESCSUxx326059	30xx-00961	30xx-00960	30xx-00452
LESCSUxx306059	30xx-00450	30xx-00451	30xx-00452
LESCSUxx305459	30xx-00450	30xx-00451	30xx-00472
LESCSUxx425459	30xx-00477	30xx-00478	30xx-00472
LESCSUxx275459	30xx-00470	30xx-00471	30xx-00472

Color Options* (color code replaces "xx" in SKU)

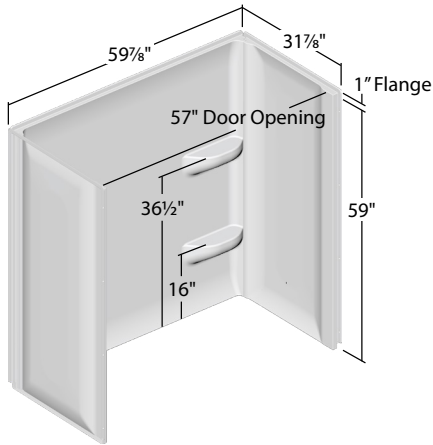


*Colors shown may vary slightly from the actual product due to variations in the printing process of this document.

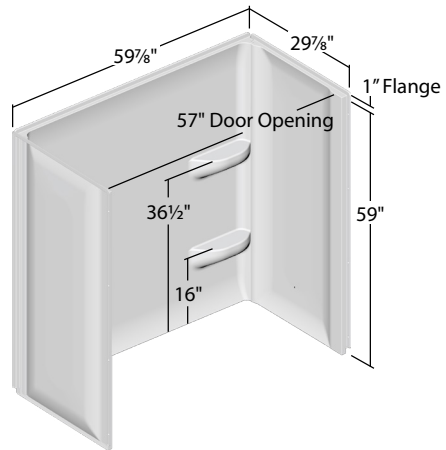
Plumbing accessories not included.



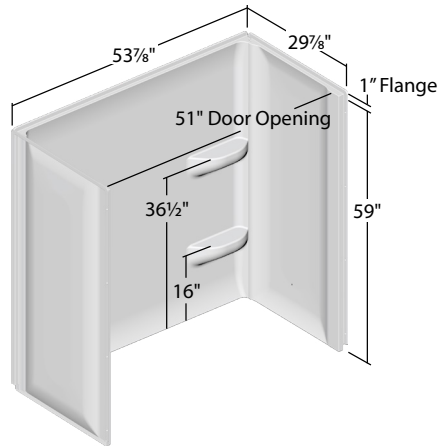
32" x 60" x 59"



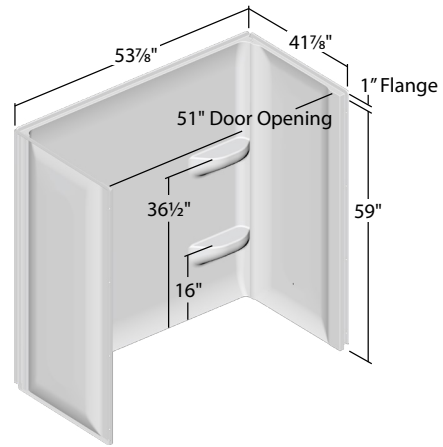
30" x 60" x 59"



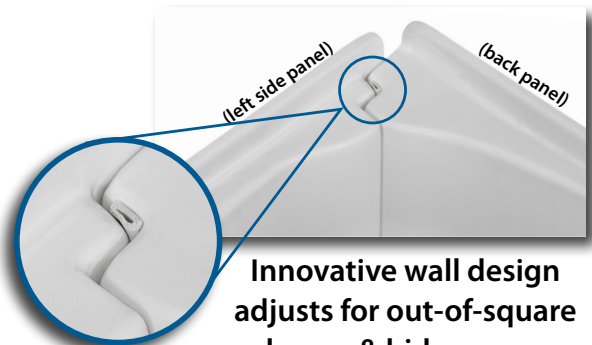
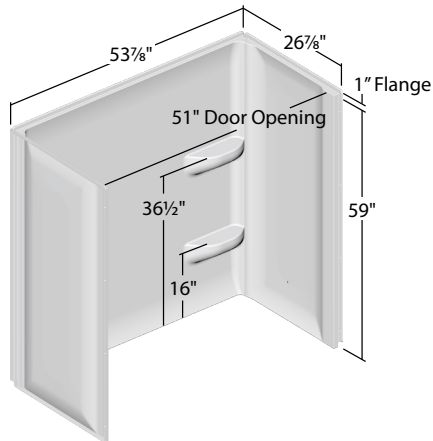
30" x 54" x 59"



42" x 54" x 59"



27" x 54" x 59"



Water-Proof Gasket
(Magnified View)

**Innovative wall design
adjusts for out-of-square
alcoves & hides seams.
No caulk required.**

Contact Us

Lyons Industries, Inc.
30000 M-62 West
Dowagiac, MI 49047

(800) 458-9036

(269) 782-5159

lyonsind@lyonsindustries.com

www.lyonsindustries.com

Design and features may change without notice.
All product subject to manufacturing tolerance of [+] or [-] 1/8".
Printed in U.S.A.

08-2019