



Key Features

High gloss acrylic surface is easy to clean

Scratch and stain resistant

Slip resistant area for showering

Fiberglass 3" diameter feet Composite materials

Available Sizes

Raised Outlet (AFR)

- 54" x 30" x 19"

Standard Outlet (SFR)

- 60" x 32" x 19" • 60" x 30" x 16"

Features

- Spacious bathing area with molded lumbar support and arm rests for bathing comfort
- Easy installation for both new construction and remodel projects
- Flange screws direct to studs, no T-brace, predrilling or clips required
- Covered with protective film to protect finish during installation
- Reinforced integral apron with supports
- Robotically sprayed fiberglass resin, composite materials and 3" diameter feet for structural strength
- 5-Year Consumer, 2-Year Commercial Limited Warranty
- Meets CSA and ANSI standards

Ordering Information

Description	Dimensions	Model #	Shipping Weight
Bathtub	60" x 32" x 19"	ETxx603219 L or R	81 lbs
Bathtub	60" x 30" x 16"	ETxx603016 L or R	71 lbs
Bathtub	54" x 30" x 19"	ETLxx543019 L or R	64 lbs
Bathtub	54" x 30" x 19"	ETLxx543019C	64 lbs

Color Options* (color code replaces "xx" in SKU)

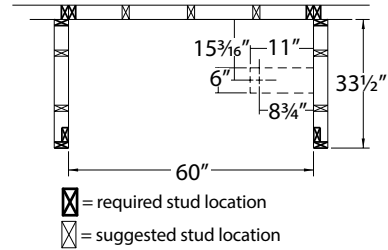
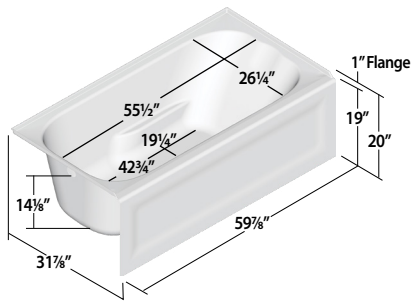
- 01 - White
 02 - Almond
 09 - Biscuit

*Colors shown may vary slightly from the actual product due to variations in the printing process of this document.

Plumbing accessories not included.

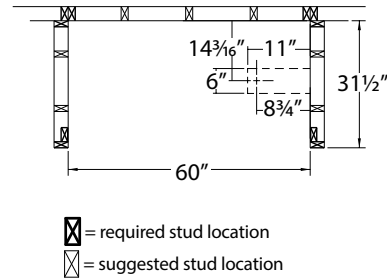
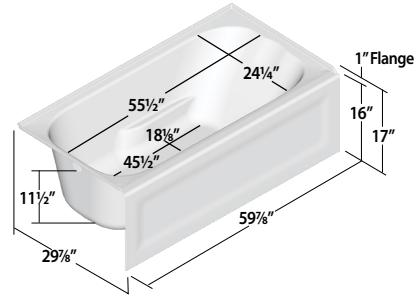


60" x 32" x 19"
(60 gallons*)



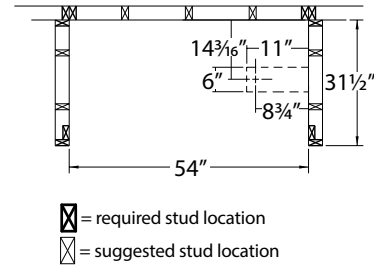
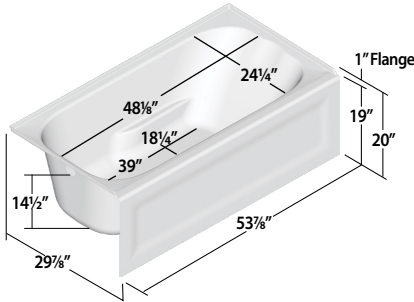
RH installation shown - reverse for LH installation.

60" x 30" x 16"
(45 gallons*)



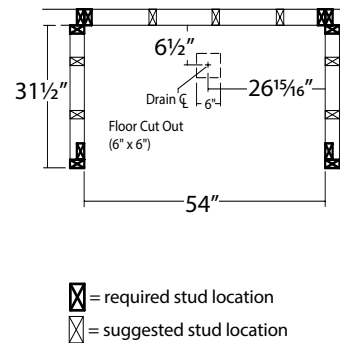
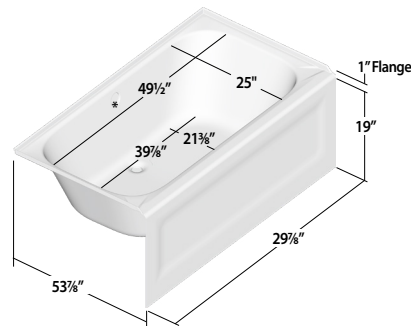
RH installation shown - reverse for LH installation.

54" x 30" x 19"
(39 gallons*)



RH installation shown - reverse for LH installation.

54" x 30" x 19"



*Overflow to bottom of drain is 11 1/4"

Contact Us

Lyons Industries, Inc.
30000 M-62 West
Dowagiac, MI 49047

(800) 458-9036

(269) 782-5159

lyonsind@lyonsindustries.com

www.lyonsindustries.com

*From bottom of overflow to drain

Design and features may change without notice.
Complies with ANSI Z124.1 and CAN/CSA-B45
CAN/ULC S102.2 Flame-75 & Smoke Developed-485 code.
Complies with ASME:A112.19.7 and CAN/CSA-B45.10
All product subject to manufacturing tolerance of [+] or [-] 1/8".
Printed in U.S.A.