

254027C – EVERYDAY BATHS

54 x 27 1/8 x 15 inches



FEATURES

- Alcove bath
- Ergonomic backrest
- Integral tiling flange (3T)
- Integral skirt
- Slip-resistant textured bottom
- Center back drain
- AcrylX™ applied acrylic surface
- Lifetime limited warranty
- East zone only

OPTIONS

- Designer drain, waste & overflow
- Coordinating wall set available (model #5427FWS1)

AQUATIC ADVANTAGE

- National distribution
- 6 manufacturing facilities
- Private fleet
- Centralized customer service
- Field support

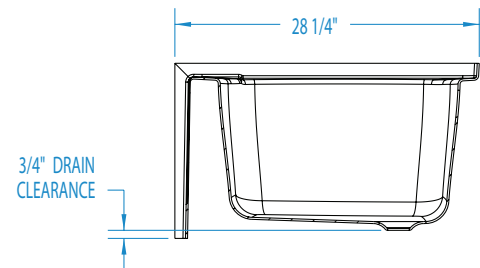
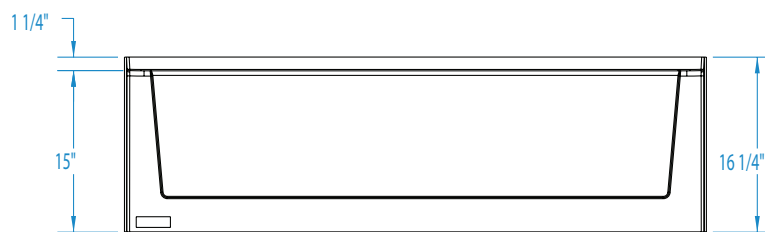
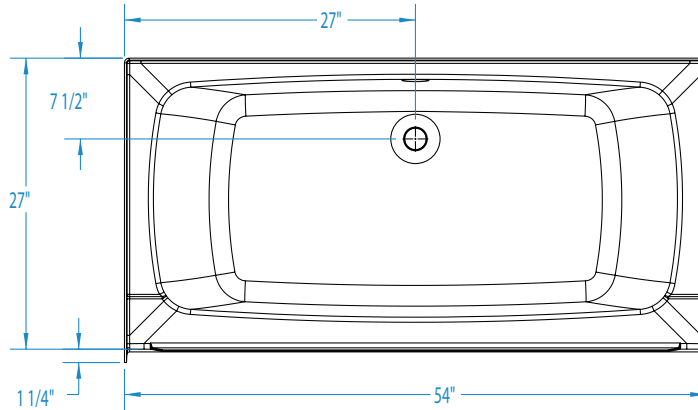
COLOR OPTIONS

Stock	Upgraded	Premium
White	Almond Linen/Biscuit Bone	Black Mexican Sand Sand Bar Sterling Silver



254027C

54 x 27 1/8 x 15 inches



FEATURES lbs Dimensional Tolerance $\pm \frac{3}{16}$ ". Dimensions needed for site preparation should be measured from the unit. Aquatic assumes no responsibility for preparatory work.

Model #	Material	Jets	Motor	Controls	Drain	Net Wt.	Pkg. Wt.
Soaker #254027C	AcrylX™	-	-	-	LH or RH	52	62

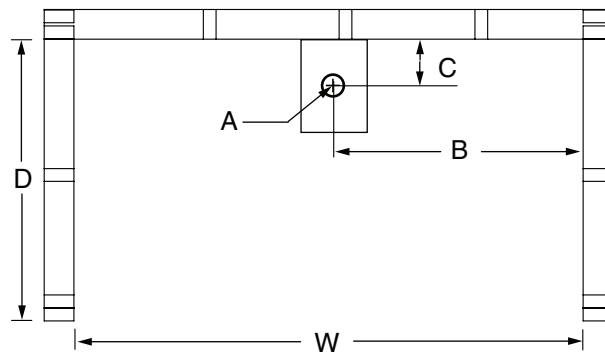
DIMENSIONS

Specifications	inches
Width: Overall / Net	54
Depth: Overall / Net	28 1/4 / 27
Height: Overall / Net	16 1/4 / 15
Enclosure Opening	-
Skirt Height	15
Drain Rough-In (from Back Wall)	3/4
Drain Rough-In (from Side Wall)	27
Drain: Diameter / Clearance	2 / 3/4

FRAMING DIMENSIONS

 inches

Type	D Depth	W Width	H Height	A	B	C
Alcove	28 1/4	54 1/8		Box Out	27	3/4



SUMP DATA

Top of Drain to Bottom of Overflow	Capacity to Overflow gal	Min. Operating Capacity gal	WIDTH @ centerline		DEPTH @ centerline	
			Top	Bottom	Top	Bottom
9 1/2	33	-	48 5/8	38 1/4	22 1/4	20 1/8